



# BREVA hexapod

High resolution hexapod medium size



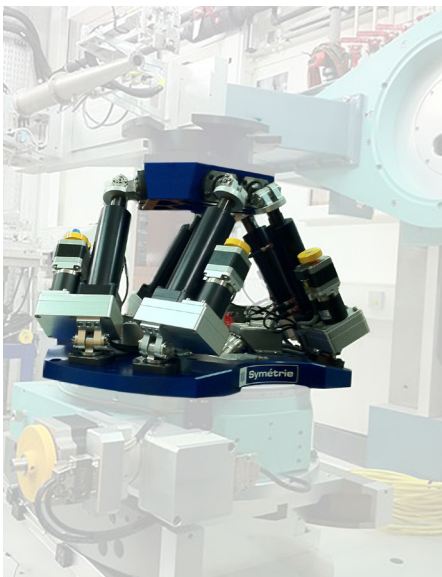
## KEY FEATURES

- Payload capacity up to 200 kg
- Linear travel range  $\pm 75$  mm
- Angular travel range  $\pm 22^\circ$

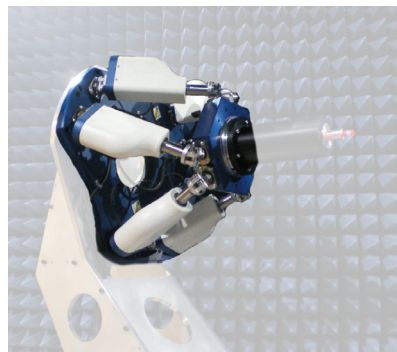


## APPLICATIONS

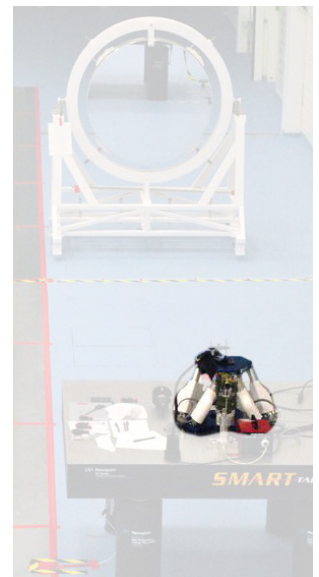
- Instrumentation
- Aeronautics and space
- Optics
- Metrology
- Testing laboratories
- Synchrotrons



*This hexapod positions a vacuum chamber containing a gas sample and  $\pm 20^\circ$  angular range.*



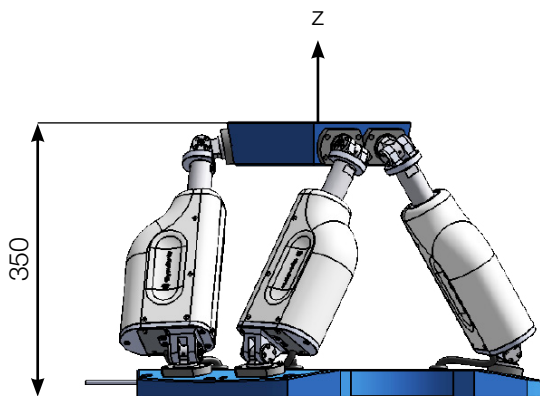
*This hexapod integrates a 360° rotation in its mobile platform. It orientates a microwave source to qualify microwave antennas.*



*The BREVA hexapod is part of the ESA Star Tiger-2 test set-up to simulate a way to eclipse sun in space with two satellites flying in tight formation.*

	BREVA DC	BREVA ST	BREVA BL
	for lighter payload	for higher payload	for higher speed and payload
<b>Motion and positioning</b>			
Travel range Tx, Ty (mm)	± 75	± 75	± 75
Travel range Tz (mm)	± 50	± 50	± 50
Travel range Rx, Ry (deg)	± 20	± 20	± 20
Travel range Rz (deg)	± 22	± 22	± 22
Resolution Tx, Ty, Tz (µm)	0.5	0.5	0.5
Resolution Rx, Ry, Rz (µrad)	2.5	2.5	2.5
Repeatability Tx, Ty, Tz (µm)	± 1	± 1	± 1
Repeatability Rx, Ry, Rz (µrad)	± 5	± 5	± 5
Speed (mm/s; deg/s)	8; 2.5	0.8; 0.25	3; 1
<b>Mechanical properties</b>			
Stiffness X, Y (N/µm)	5	5	5
Stiffness Z (N/µm)	32	32	32
Payload capacity (kg) (vertical orientation / horizontal orientation)	25 / 10	200 / 80	200 / 80
Motor type	DC motor, gearhead	Stepper motor, gearhead	Brushless motor, gearhead
<b>Miscellaneous</b>			
Operating temperature range (°C)	0 to + 50	0 to + 50	0 to + 50
Material	Aluminum, steel, stainless steel, plastic	Aluminum, steel, stainless steel, plastic	Aluminum, steel, stainless steel, plastic
Size mobile platform (mm)	Ø 300	Ø 300	Ø 300
Height in middle position (mm)	350	350	350
Mass (kg)	32	36	36
Cable length (m)	3	3	3
Options	Clean room compatibility Vacuum compatibility Customized platform design		
<b>Controller</b>			
Controller type	ALPHA	ALPHA	ALPHA
Interface	Ethernet, USB	Ethernet, USB	Ethernet, USB
Power supply	230 VAC / 50-60 Hz	230 VAC / 50-60 Hz	230 VAC / 50-60 Hz

Datasheet subject to change without notice. R151026



Hexapod in middle position

